



Landcruising Zilla 2 (Release 2011)



Our Zilla 2.0 is the vigorous leader among the slackline anchor devices. The application range of the Zilla includes longlines over 100 meter up to 16 kN pretension. Despite its massive structure there isn't any ounce too much. Weight and function optimization was one of our main goals. The most striking feature of the Zilla 2.0 is the great and handy Quickpin, which allows a rapid fixation of the line. The possibility of pre-tightening the line with hand power gives great precision and efficiency when using a pulley tightening system. Thanks to the 36 mm diameter of the main deviator - the Zilla 2.0 defines a very high maximum breaking load factor.

Attention ! - the Zilla 2.0 fits in a 5:1 pulley system only to the [Faders Atlas](#) / SMC 3", but not to the Skylotec Double (and identical derivatives), Rock Exotica P21 D, Camp / Kong / LACD, SMC Micro etc.. In the 9:1 setup style are all pulleys compatible.

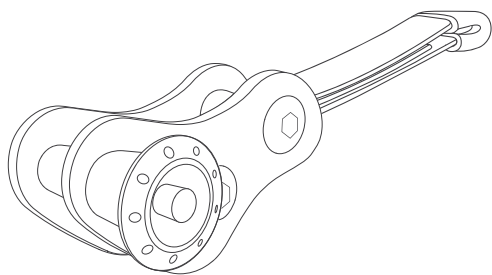
- actual limited color edition No.4 "Cold Raptor" (cold dark grey sideplates with blue roller)
- very compact and optimized design, suitable for 25 mm / 1 inch slacklines
- CNC milled and eloxated 7,3 mm thick side plates made of high strength aluminum AL 7075
- Quickpin fast locking with 16 mm (0.63 inch) diameter pin
- main deviator made of high strength aluminum with 36 mm (1.18 inch) diameter
- [Ultimate Link sling](#) (min. 73 kN break strength) at express version
- pulley centrifugation bushing made of AL 7075 at pulley version
- oval head screws M12 made of steel 10.9 hardened
- total weight of pulley version 508 g and express version 530 g
- use up to max. 16 kN pretension, breaking load 70 kN
- tested break strength of e.g. White Magic 30,5 kN (98 % efficiency)
- **Caution: usage with Dyneema or rubber printed webbings only in double loop layup!**
- Design by Landcruising, Made in Saxony



Manual

for

Zilla 2.0 Slackline Anchor



Rev. 2.0



! Caution !

Activities under the use of the Zilla are potentially dangerous.

You are responsible for your own actions and decisions.

Note the following before you use the Zillas:

- Read this manual completely
- Get familiar with the behaviour and limitations of the Zilla
- Step up carefully to higher pretensions and longer slackline lengths
- Understand the risks involved in the use of the Zilla, especially while longlining

! Load Limit (WLL) !

The Zilla 2.0 should be used up to a maximum pretension of 16 kN

Breaking Strength of Zilla metal body > 50 kN
Effective webbing breaking strength (e.g. new White Magic approx. 30,5 kN)

1. Intended use

The Landcruising Zilla is a slackline anchor tool for webbings of 25 mm (1 inch) width and 4 mm max. thickness.

Any other use is prohibited.

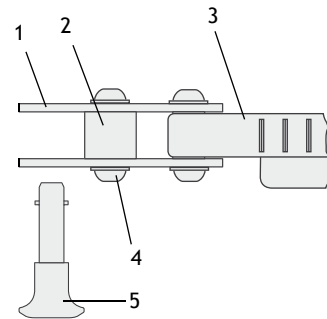
The Zilla may not be used in the setup of highlines. The maximum height of a slackline anchored with the Zilla is 2 meter.

The maximum tension in the slackline of 16 kN (depending on webbing ! pls. read webb-specs) may not exceeded during setup and slacklining. The user is responsible for the control of the tension (simple middle sag - check as minimum)

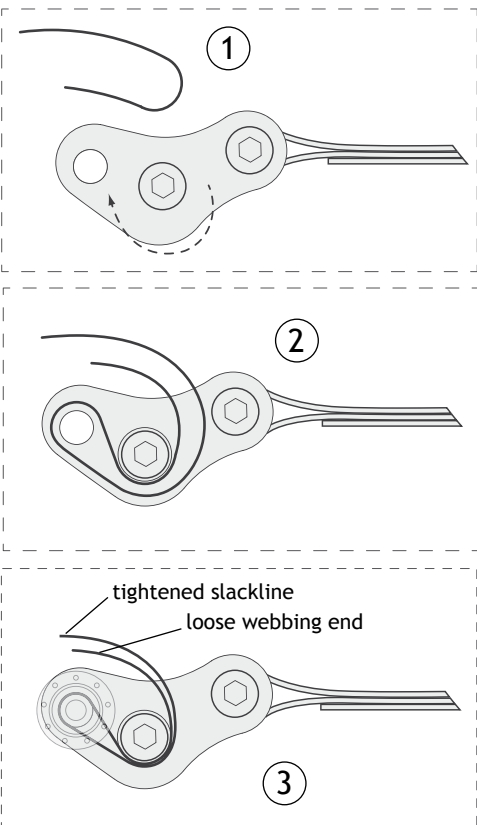
The use of the Zilla and the thread of the webbing strictly following the method described in section 3 of this manual. Other webbing threading methods are prohibited.

2. Naming of parts

1. Side Plate, 2. Deviator, 3. Sling, 4. Screw Bolt, 5. Quickpin



3. Threading the webbing

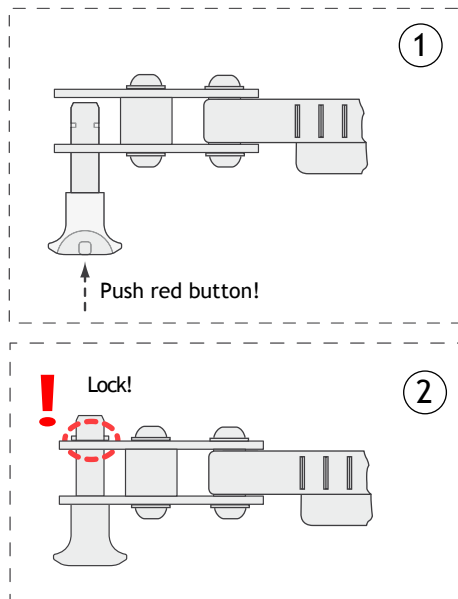


Pretightening - after locking the Quickpin, the loose webbing end can be pulled by hand while feeding the slackline with the other hand.

Take care of proper slackline centering!

4. Locking the Quickpin

The Quickpin must be securely locked after threading the slackline and before tightening!



5. Note on setup options

The Zilla is delivered in 2 assembly options:

1. Express variant with sling for direct assembly to shackles
2. Pulley variant with centering sheath instead of sling - the sheath centers the pulley, during assembly ensure proper screw tensioning (fit only to Faders Atlas Duo or SMC 3")

6. Storage and removal

The Zilla needs dry storage - all parts are made of corrosion resistant materials

The screw threads are treated with safety glue by factory.

The screwing of the middle bolt with the deviator is prohibited.

Tighten the rear bolt to 20 Nm while assembling the Zilla to a double pulley.

Caution! - loose screws or over tightening of the screws is prohibited.

7. Disclaimer

Warranty:

The legal warranty is valid. Excluded are normal wear/tear, modifications/changes and damages caused by improper use.

We, as manufacturer and seller, are not responsible for injuries, consequential or/and incidental damages resulting from the use of the Zilla.

You assume full responsibility to all risks and property damage, personal injury or death which may arise in combination with improper use of the Zilla.

If you want not take this responsibility and risk, or if you not allowed to take full responsibility - don't use this product.